



TRANSTHERM INTEGRABLE  
SMALL MODEL CHARACTERISTICS

# CHARACTERISTICS

## Capacity:

40 bottles (Bordeaux Tradition) with one storage shelf

Shelves: maximum 3 (Bordeaux or Burgundy)

- Bordeaux shelf = 8 Bordeaux bottles
- Burgundy shelf = 7 Burgundy or Champagne bottles

## Functions:

- mono temperature
- mechanical regulation with LCD display instead of the ribbon thermometer
- water recuperating receptacle on the compressor
- inside hygrometer

## Performances:

to be confirmed

## Colour:

- Outside colour: black mat
- Inside colour: black thermoformed walls  
Back sheet in black or present brown

## Door:

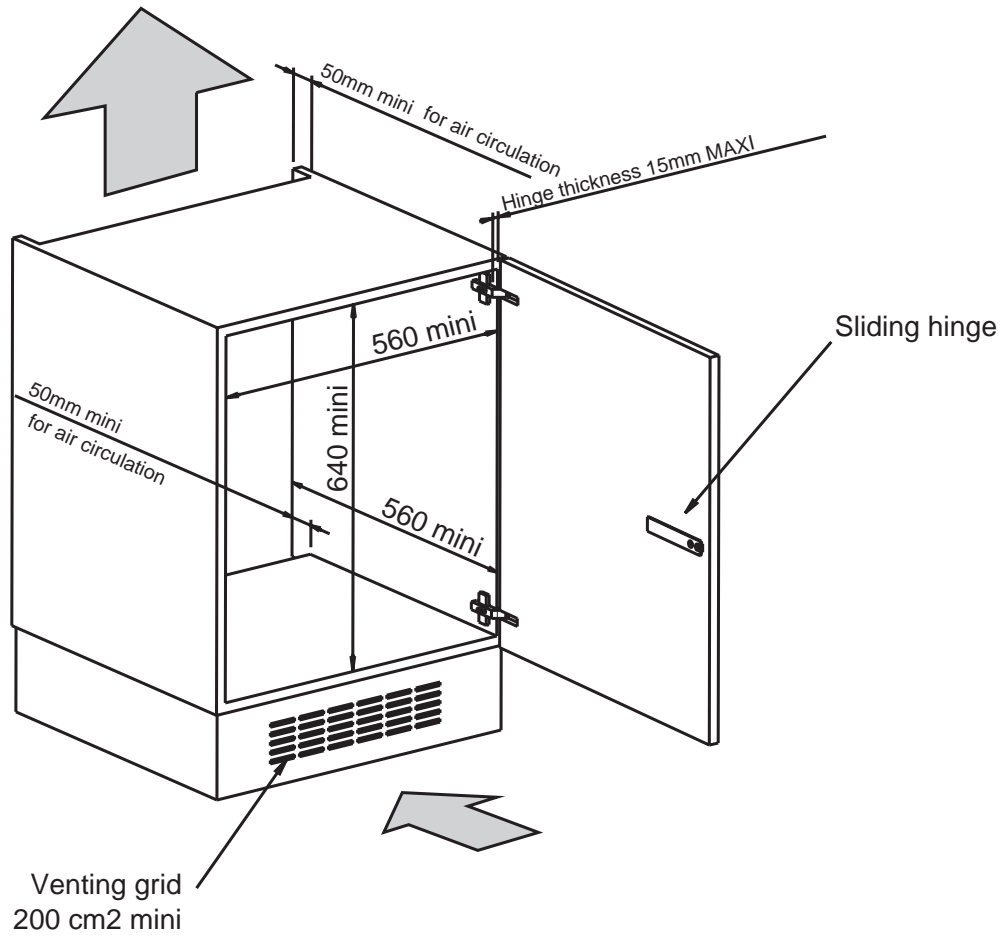
Reversible solid door with (sliding hinge) for the cabinet's door (see page 3-4)

## Feet:

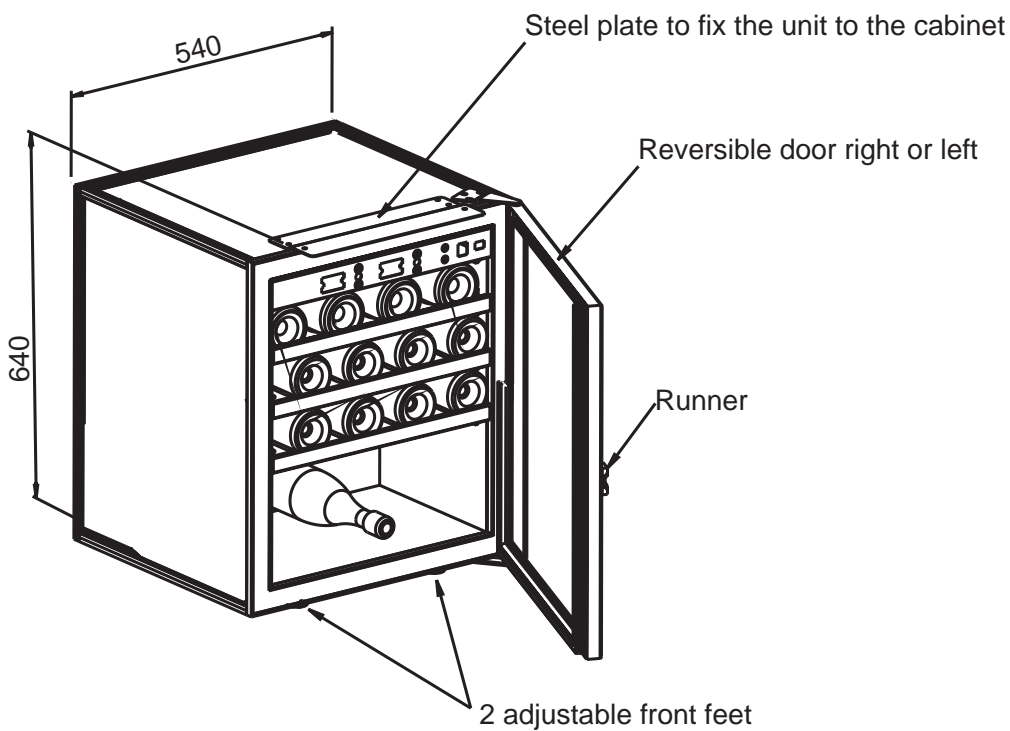
Adjustable front feet: possibility of adjusting the back feet if the unit needs to be fully heightened

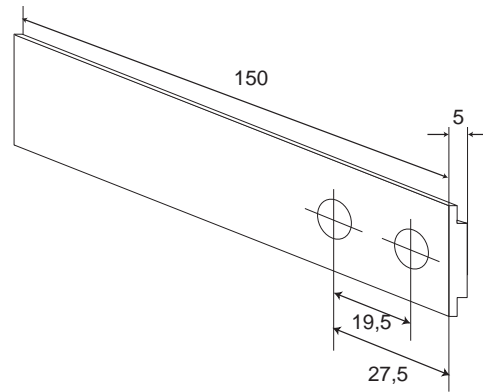
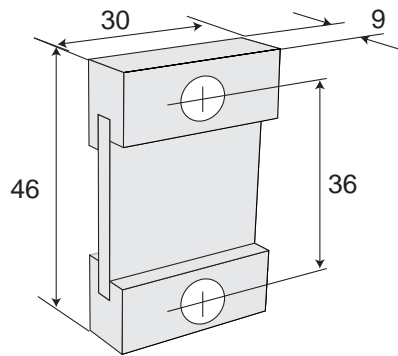
TRANSTHERM marking on the control panel

# DRAWING



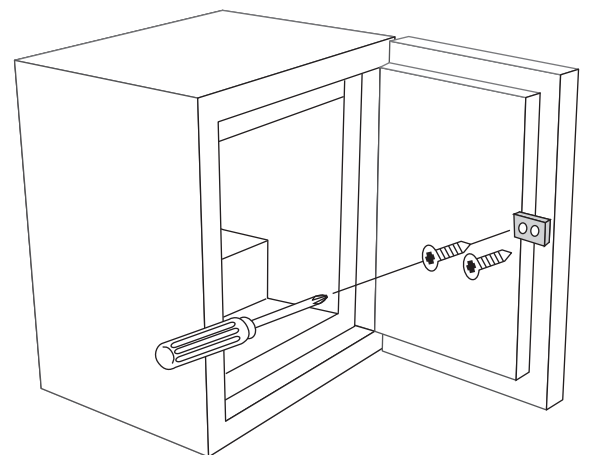
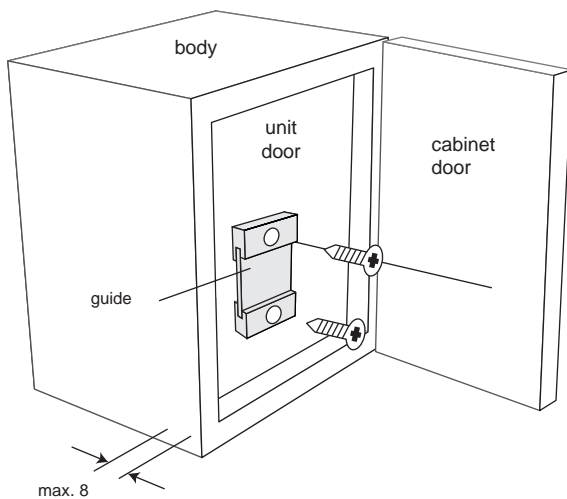
Overall depth: 555 mm including door and sliding hinge





### Sliding hinge

To assemble the door of the wine cabinet with the door of the outer cabinet



### Assembly instructions

Screw the guide on the outside of the wine cabinet's door

Then open the door of the wine cabinet to a 90° angle and place the rail on the guide

Finally, screw the rail precisely to a horizontal position, on the inside of the outer cabinet door